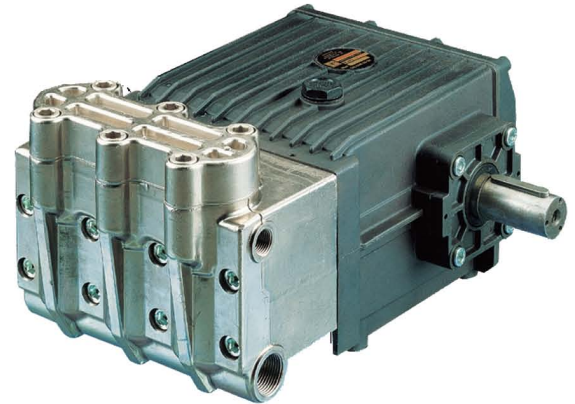


T Series 76

20 mm bore – Triplex Plunger Pump

FEATURES

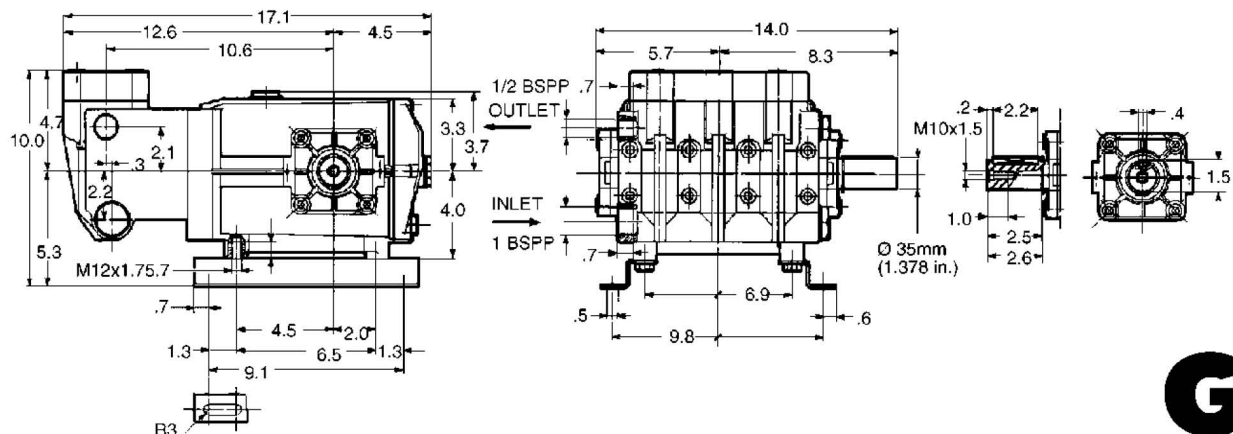
- The industry's choice for high-pressure applications
- Forged brass manifold with an exclusive lifetime warranty
- Large-capacity, die-cast, anodized aluminum oil-bath crankcase
- Over-sized connecting rods for maximum life
- Heavy-duty tapered roller bearing.
- Solid ceramic plungers with continuously lubricated packings
- Unitized stainless steel inlet and discharge valves

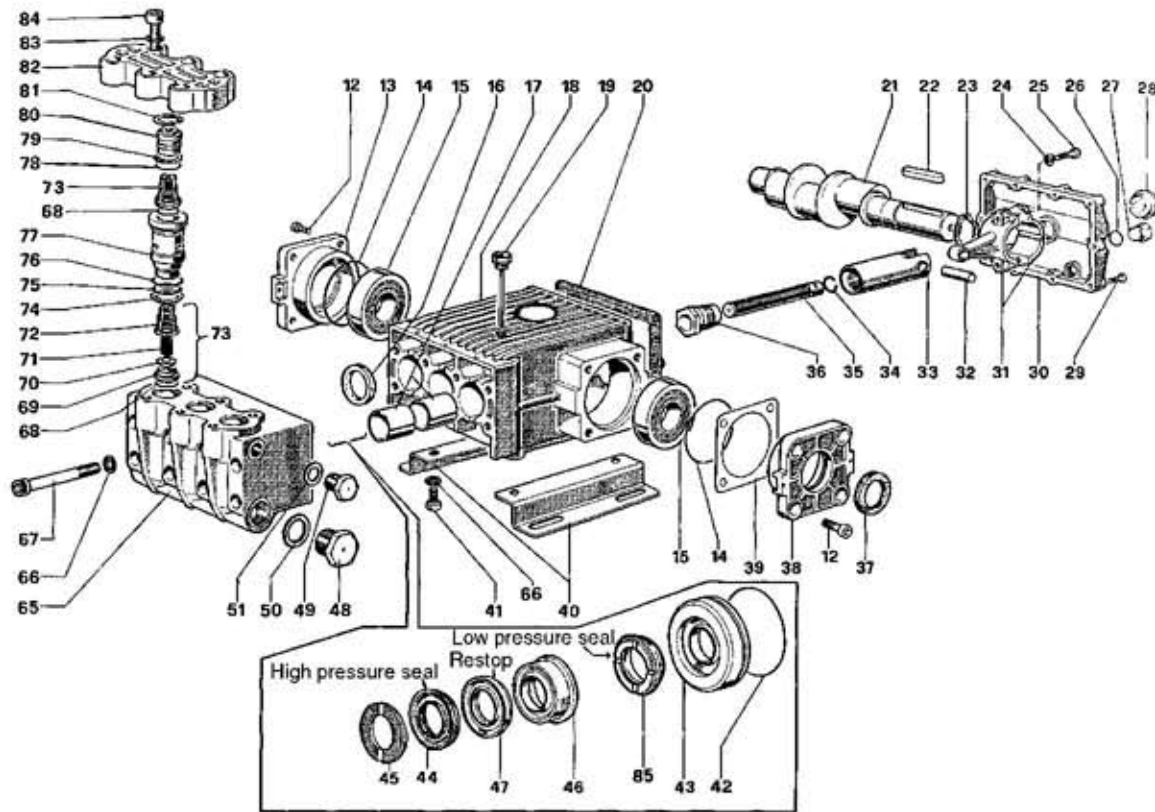


SPECIFICATIONS

| Pump Model | T4251-N |
|----------------------------|--------------------------|
| Maximum Volume | 6.6 GPM |
| Maximum Discharge Pressure | 5800 PSI |
| Maximum Pump Speed | 1000 RPM |
| Maximum Inlet Pressure | 125 PSI |
| Maximum Inlet Vacuum | 7 ft. water (6.2 in. Hg) |
| Bore | .787 in. / 20 mm |
| Stroke | 1.102 in. / 28 mm |
| Crankcase Oil Capacity | 91 oz. |
| Maximum Fluid Temperature | 165°F |
| Inlet Port Thread | 1" NPT-F |
| Discharge Port Thread | 1/2" NPT-F |
| Shaft Diameter. | 1.378 in. / 35 mm |
| Weight | 101 lbs. |
| Dimensions | 15.6 x 14.0 x 9.5 in. |

DIMENSIONAL DRAWING





PARTS LIST

| ITEM PART NO. | DESCRIPTION | KIT NO. | QTY. | ITEM PART NO. | DESCRIPTION | KIT NO. | QTY. | ITEM PART NO. | DESCRIPTION | KIT NO. | QTY. |
|---------------|-------------|---------------------|------|---------------|-------------|-------------------|--------|---------------|-------------|------------------------|--------|
| 12 | 99.3652.00 | Screw | 8 | 32 | 97.7400.00 | Plunger Pin | 3 | 65 | 61.1202.41 | Manifold | 1 |
| 13 | 76.1501.22 | Cover | 1 | 33 | 61.0500.66 | Plunger Guide | 3 | 66 | 96.7195.00 | Washer | 12 |
| 14 | 90.4141.00 | O-Ring | 2 | 34 | 90.0115.00 | Cir-Clip | 3 | 67 | 99.4465.00 | Screw | 8 |
| 15 | 91.8474.00 | Bearing | 2 | 35 | 61.0400.56 | Plunger (20 mm) | 3 | 68 | 90.3850.00 | O-Ring | 122 |
| 16 | 90.1670.00 | Ring | 44 | 36 | 61.2195.66 | Plunger Screw | 3 | 69 | 36.2024.66 | Valve Seat | 122 |
| 17 | 90.9172.00 | Bushing | 6 | 37 | 90.1672.00 | Ring | 32 | 70 | 36.2013.66 | Valve | 122 |
| 18 | 76.0100.22 | Crankcase | 1 | 38 | 76.1500.22 | Cover | 1 | 71 | 94.7394.00 | Spring | 122 |
| 19 | 98.2270.00 | Oil Dip Stick | 1 | 39 | 76.2200.78 | Shim | 2 | 72 | 36.2023.51 | Valve Guide | 122 |
| 20 | 76.2119.84 | Cover Gasket | 1 | 40 | 76.2000.74 | Foot | 2 | 73 | 36.7114.01 | Valve Assy. | 122 |
| 21 | 76.0210.35 | Crankshaft | 1 | 41 | 99.4266.00 | Screw | 4 | 74 | 90.5181.00 | Anti-Ext. Ring | 3 |
| 22 | 91.4978.00 | Key | 1 | 42 | 90.3903.00 | O-Ring | 76, 78 | 75 | 90.4057.00 | O-Ring | 3 |
| 23 | 90.0695.00 | Cir-Clip | 1 | 43 | 61.0800.70 | Packing Retainer | 76, 78 | 76 | 90.3871.00 | O-Ring | 3 |
| 24 | 96.7104.00 | Washer | 6 | 44 | 90.2705.00 | Packing | 77, 78 | 77 | 61.2177.66 | Guide | 3 |
| 25 | 99.3720.00 | Screw | 6 | 45 | 47.1000.51 | Head Ring | 7, 78 | 78 | 90.3855.00 | O-Ring | 3 |
| 26 | 90.3833.00 | O-Ring | 2 | 46 | 61.2160.70 | Intermediate Ring | 75, 78 | 79 | 90.5154.00 | Anti-Ext. Ring | 3 |
| 27 | 98.2100.00 | Cap | 2 | 47 | 90.2709.00 | Ring | 77, 78 | 80 | 61.2176.70 | Cap | 3 |
| 28 | 97.5968.00 | Oil Level Indicator | 1 | 48 | 98.2325.00 | Cap | 1 | 81 | 90.0670.00 | Cir-Clip | 3 |
| 29 | 99.1897.00 | Screw | 10 | 49 | 98.2178.00 | Cap | 1 | 82 | 61.2182.41 | Valve Cover | 1 |
| 30 | 76.1600.22 | Crankcase Cover | 1 | 50 | 96.7870.00 | Washer | 1 | 83 | 96.7300.00 | Washer | 6 |
| 31 | 76.0303.01 | Connecting Rod | 3 | 51 | 96.7514.00 | Washer | 1 | 84 | 99.4860.00 | Screw | 6 |
| | | | | | | | | 85 | 90.2710.00 | Seal, Low Press., 20mm | 77, 78 |
| | | | | | | | | | | | 3 |

REPAIR KITS

| KIT NO. | 7 | 32 | 44 | 75 | 76 | 77 | 78 | 122 |
|--------------------------------------|----|----|----|----|--------|------------|----------------------------|-------------------------|
| ITEM NO.s INCLUDED IN KIT | 45 | 37 | 16 | 46 | 42, 43 | 44, 47, 85 | 42, 43, 44, 45, 46, 47, 85 | 68, 69, 70, 71, 72 (73) |
| NUMBER OF ASSEMBLIES IN KIT | 6 | 2 | 3 | 3 | 3 | 3 | 1 | 6 |
| NUMBER OF CYLINDERS KIT WILL SERVICE | 3 | - | 3 | 3 | 3 | 3 | 1 | 6 |

TORQUE SPECS*

| Position | Ft.-lbs. |
|----------|----------|
| 12 | 29.4 |
| 25 | 29.4 |
| 27 | 29.4 |
| 28 | 13.2 |
| 29 | 7.3 |
| 36 | 81.0 |
| 41 | 51.5 |
| 48 | 73.7 |
| 49 | 36.8 |
| 67 | 51.5 |
| 84 | 95.8 |

*Decrease torque by 20% if threads are lubricated.

Water Cannon, Inc.

4044 West Lake Mary Blvd Units 104-424 Lake Mary, FL 32746
1-800-454-9274

www.watercannon.com - www.gxparts.com - www.hydromidwest.com - www.hotsuperskid.com

