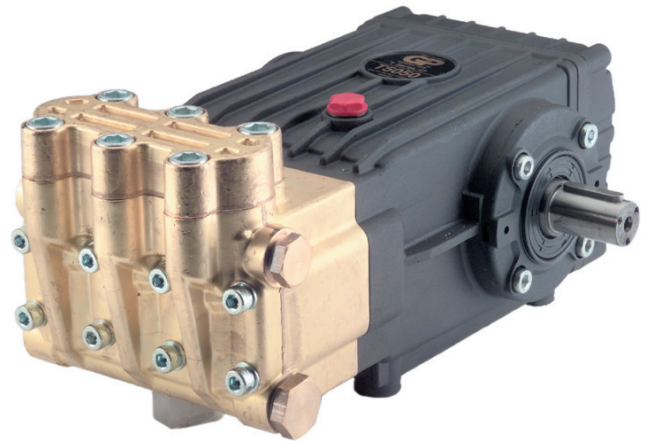


T Series 47 S

5,000 PSI; 16 mm bore / 19 mm stroke

FEATURES

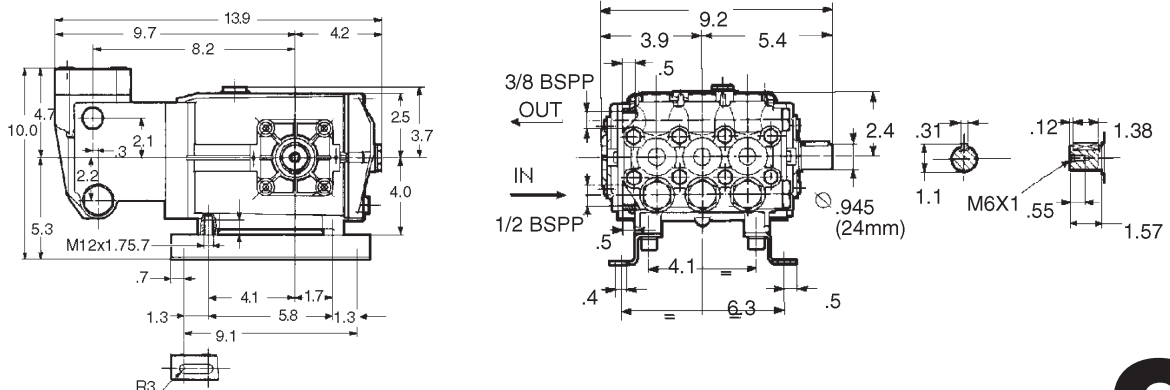
- Forged brass manifold that's twice as strong as cast
- Stainless steel piston guides
- Unique "in-line" valve system for easy access and durability
- Small bore combined with long stroke for maximum efficiency
- Thermally-bonded ceramic coating rated to 10,000 PSI
- Proven crankcase and bearing design
- Available in left-handed "L" version

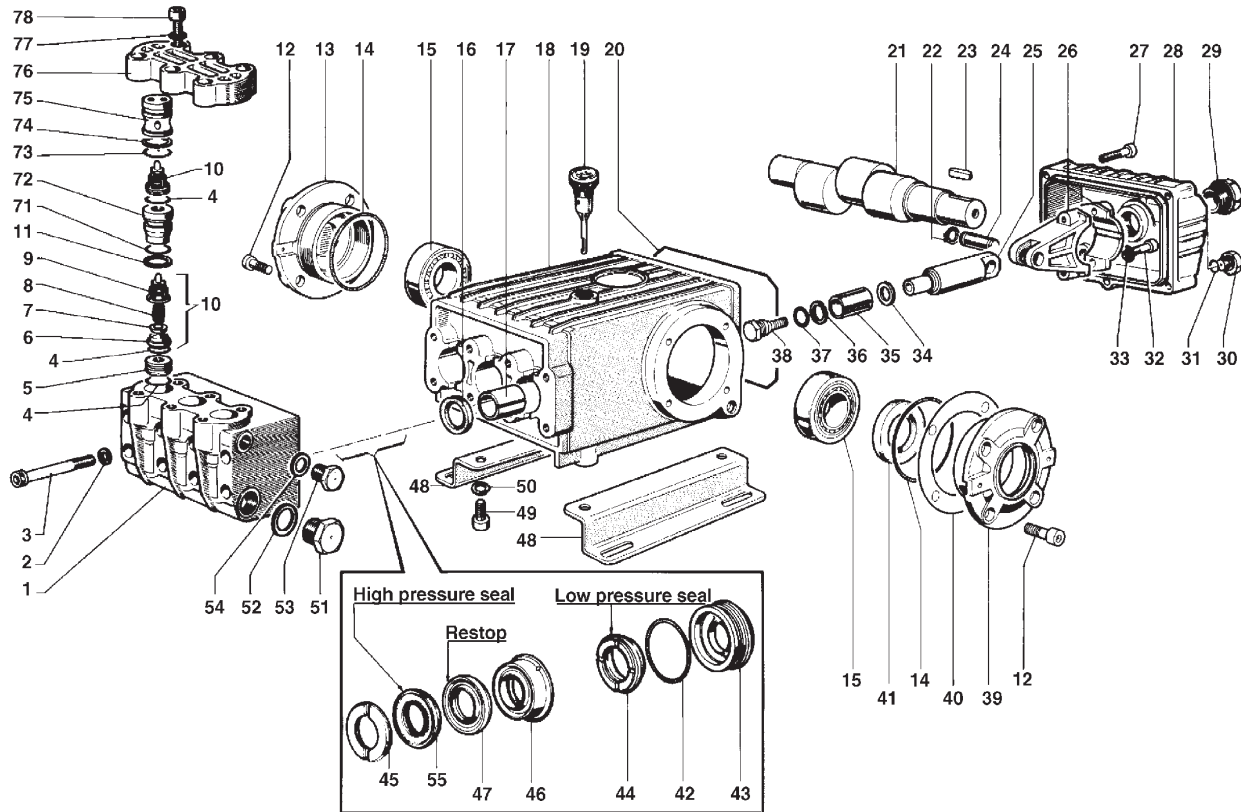


SPECIFICATIONS

Pump Model	T5050
Maximum Volume	5.0 GPM
Maximum Discharge Pressure	5000 PSI
Maximum Pump Speed	1845 RPM
Maximum Inlet Pressure	30 – 125 PSI
Maximum Inlet Vacuum	9 ft. water (7.9 in. Hg)
Bore	.630 in. / 16 mm
Stroke	.748 in. / 19 mm
Crankcase Oil Capacity	40.6 oz.
Maximum Fluid Temperature	165°F
Inlet Port Thread	(2) 1/2-14 BSPP-F
Discharge Port Thread	(2) 3/8-19 BSPP-F
Shaft Diameter.	.945 in. / 24 mm
Weight	41 lbs.
Dimensions	14.2 x 9.2 x 6.9 in.

DIMENSIONAL DRAWING





PARTS LIST

ITEM PART NO.	DESCRIPTION	KIT NO.	QTY.	ITEM PART NO.	DESCRIPTION	KIT NO.	QTY.	ITEM PART NO.	DESCRIPTION	KIT NO.	QTY.
1. 47121641	Manifold		1	22. 90055700	Cir-Clip		6	43. 47081170	Packing Retainer	151	3
2. 96702000	Washer		8	23. 91489000	Key		1	44. 90264400	Seal, Low Press., 16mm	109,151	3
3. 99326000	Bolt		8	24. 97738000	Plunger Pin		3	45. 47100351	Head Ring	108,151	3
4. 90384100	O-Ring		9	25. 47050654	Plunger Guide		3	46. 47217270	Intermed. Ring	110,151	3
5. 47210470	Spacer		3	26. 47030001	Connecting Rod		3	47. 90264300	Restop Ring	109,151	3
6. 36200366	Seat, Valve		6	27. 99191200	Screw		5	48. 47200074	Foot		2
7. 36203266	Plate, Valve		6	28. 47160122	Crankcase Cover		1	49. 99364400	Screw		4
8. 94737600	Spring, Valve		6	29. 97596800	Oil Indicator		1	50. 96710600	Washer		4
9. 36202551	Cage, Cage		6	30. 98204100	Cap		1	51. 98217600	Cap		1
10. 36712101	Valve	150	6	31. 90358500	O-Ring		1	52. 96751400	Washer		1
11. 90511500	Back-up Ring		3	32. 99309900	Screw		6	53. 98210000	Cap		1
12. 99303900	Screw		8	33. 96701400	Washer		6	54. 96738000	Washer		1
13. 47150122	Crankcase Cover		1	34. 47210270	Ring		3	55. 90264200	Packing	109,151	3
14. 90391300	O-Ring		2	35. 47040856	Plunger (16 mm)		3	71. 90384300	O-Ring		3
15. 91837700	Bearing		2	36. 90503300	Anit-Ext. Ring		3	72. 47210366	Guide, Valve		3
16. 90162500	Ring	2	3	37. 90357700	O-Ring		3	73. 90404100	O-Ring		3
17. 90912600	Bushing		3	38. 47219666	Plunger Screw		3	74. 90514600	Anti-Extrusion Ring		3
18. 47010622	Crankcase		1	39. 47150022	Crankcase Cover		1	75. 47210170	Cap		3
19. 98210600	Cap		1	40. 97567800	Shim		2	76. 47210041	Cover, Valve		1
20. 90392200	O-Ring, Cover		1	41. 90164800	Ring		3	77. 96719500	Washer		6
21. 47022335	Crankshaft		1	42. 90361600	O-Ring	151	3	78. 99428200	Bolt		6

REPAIR KITS

KIT NO.	2	3	108	109	110	150	151
ITEM NO.s INCLUDED IN KIT	16	41	45	44, 47, 55	46	10	42, 43, 44, 45, 46, 47, 55
NUMBER OF ASSEMBLIES IN KIT	3	2	6	3	3	6	1
NUMBER OF CYLINDERS KIT WILL SERVICE	3	2	6	3	3	—	1

TORQUE SPECS*

Position	Ft.-lbs.
3	28.9
12	14.7
27	7.3
29	13.2
30	14.7
32	14.7
38	14.7
49	29.4
51	29.4
53	29.4
78	72.3

*Decrease torque by 20% if threads are lubricated.