

FEATURES

- The preferred pump frame in the pressure cleaning industry
- Forged brass manifold with an exclusive lifetime warranty
- Large-capacity, die-cast, anodized aluminum oil-bath crankcase
- Over-sized connecting rods for maximum life
- Heavy-duty tapered roller bearing.
- Solid ceramic plungers with continuously lubricated packings
- Unitized stainless steel inlet and discharge valves
- Available in left-handed "L" version

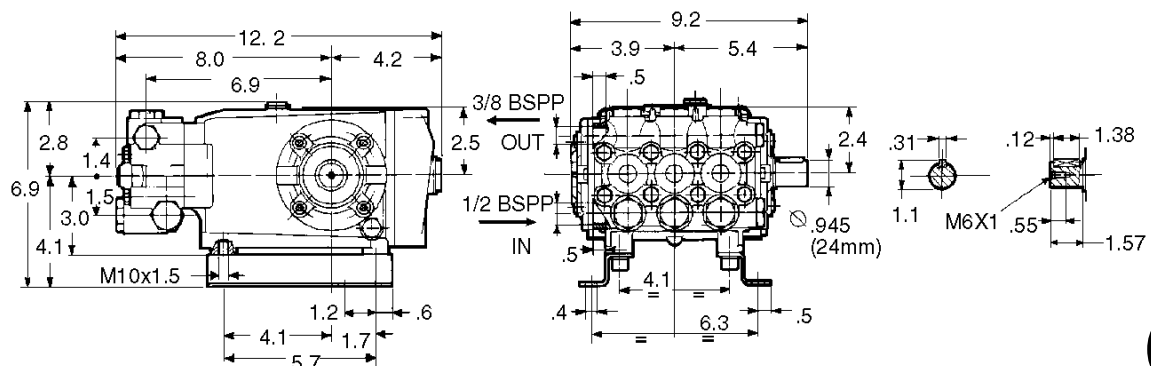


SPECIFICATIONS

| Pump Model | T1011 | | TS1021 | | TS2021-N | |
|-------------------------------|--------------------------|------|-----------|------|----------|------|
| Maximum Volume (GPM) | 4.5 | 5.6 | 4.5 | 5.6 | 4.5 | 5.6 |
| Max. Discharge Pressure (PSI) | 2000 | 1500 | 3000 | 1700 | 3500 | 3500 |
| Maximum Pump Speed (RPM) | 1125 | 1450 | 1125 | 1450 | 1125 | 1450 |
| Maximum Inlet Pressure | 125 PSI | | | | | |
| Maximum Inlet Vacuum | 9 ft. water (7.9 in. Hg) | | | | | |
| Bore | .787 in. / 20 mm | | | | | |
| Stroke | .630 in. / 16 mm | | | | | |
| Crankcase Oil Capacity | 33.8 oz | | 40.6 oz.. | | | |
| Maximum Fluid Temperature | 165°F | | | | | |
| Inlet Port Thread | 1/2-14 BSPP-F | | | | | |
| Discharge Port Thread | 3/8-19 BSPP-F | | | | | |
| Shaft Diameter. | .945 in. / 24 mm | | | | | |
| Weight | 32 lbs. | | | | | |
| Dimensions | 12.2 x 9.2 x 6.9 in. | | | | | |

N=Nickel-plated manifold

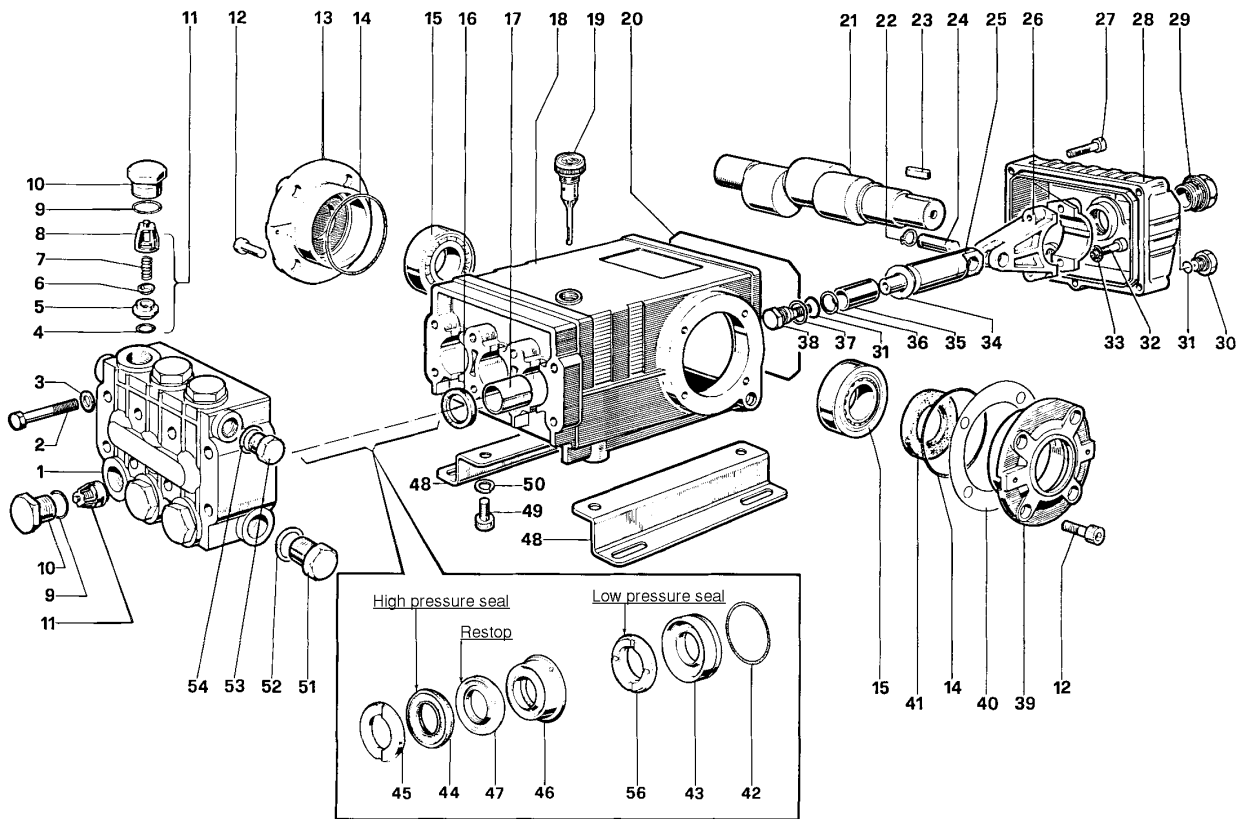
DIMENSIONAL DRAWING



T Series 47 S – 20 mm x 16 mm

GENERAL PUMP

A member of the Interpump Group



PARTS LIST

| ITEM | PART NO. | DESCRIPTION | KIT NO. | QTY. | ITEM | PART NO. | DESCRIPTION | KIT NO. | QTY. | ITEM | PART NO. | DESCRIPTION | KIT NO. | QTY. |
|------|----------|------------------------------------|---------|------|------|----------|--------------------------|---------|------|------|----------|------------------------|------------|------|
| 1 | 47120841 | Manifold | | 1 | 19 | 98210600 | Oil Dip Stick | | 1 | 37 | 96728000 | Washer | 6 | 3 |
| | 47120941 | Manifold, Nickel-Plated (TS2021-N) | | 1 | 20 | 90392200 | O-Ring, Cover | | 1 | 38 | 47219566 | Screw, Plunger | 6 | 3 |
| 2 | 99320600 | Screw, M8 x 70 | | 8 | 21 | 47021735 | Crankshaft | | 1 | 39 | 47150022 | Cover, Crankcase | | 1 |
| 3 | 96702000 | Washer, M8.4 | | 8 | 22 | 90055700 | Ring, Snap | | 6 | 40 | 97567800 | Shim | | 2 |
| 4 | 90384100 | O-Ring, .674 x .103 | 1 | 6 | 23 | 91489000 | Key | | 1 | 41 | 90164800 | Seal, Oil | 3 | 1 |
| 5 | 36200366 | Seat, Valve | 1 | 6 | 24 | 97738000 | Pin, Wrist | | 3 | 42 | 90361600 | O-Ring, 1.364 x .070 | 10, 28 | 3 |
| 6 | 36200176 | Plate, Valve | 1 | 6 | 25 | 47050554 | Guide, Plunger | | 3 | 43 | 47080570 | Retainer, Packing | 10, 28 | 3 |
| 7 | 94737600 | Spring | 1 | 6 | 26 | 47030001 | Rod, Connecting | | 3 | 44 | 90270500 | Packing | 28, 69 | 3 |
| 8 | 36200251 | Guide, Valve | 1 | 6 | 27 | 99191200 | Screw, M6 x 30 | | 5 | 45 | 47100051 | Ring, Head, M20 | 7, 28 | 3 |
| 9 | 90384700 | O-Ring, .797 x .103 | 4, 5 | 6 | | 99183700 | Screw, M6 x 14 (T1011) | | 5 | 46 | 47216970 | Intermed. Ring | 28, 71 | 3 |
| 10 | 98222000 | Cap | 4 | 6 | 28 | 47160122 | Cover, Crankcase | | 1 | 47 | 90270400 | Restop Ring | 28, 69, 71 | 3 |
| | 98222200 | Cap, Ni-Plated (TS2021-N) | 5 | 6 | | 47160022 | Cover, Crankcase (T1011) | | 1 | 48 | 47200074 | Pump Feet | | 2 |
| 11 | 36703201 | Valve Assembly | 1 | 6 | 29 | 97596800 | Oil Indicator | | 1 | 49 | 99364400 | Screw, M10 x 18 | | 4 |
| 12 | 99303900 | Screw, M8 x 16 | | 8 | 30 | 98204100 | Cap | | 1 | 50 | 96710600 | Washer, M10.2 | | 4 |
| 13 | 47150122 | Cover, Crankcase | | 1 | 31 | 90358500 | O-Ring, .426 x .070 | 6 | 4 | 51 | 98217600 | Cap | | 1 |
| 14 | 90391300 | O-Ring, 2.675 x .103 | | 2 | 32 | 99309900 | Screw, M8 x 35 | | 6 | 52 | 96751400 | Washer, M21.5 | | 1 |
| 15 | 640047 | Bearing, Roller | | 2 | 33 | 96701400 | Washer, M8.4 | | 6 | 53 | 98210000 | Cap | | 1 |
| 16 | 90162500 | Seal, Oil | 2 | 3 | 34 | 96728600 | Washer, M14 | 6 | 3 | 54 | 96738000 | Washer, M17.5 | | 1 |
| 17 | 90912600 | Bushing | | 3 | 35 | 47040409 | Plunger, (20 mm) | | 3 | 56 | 90271000 | Seal, Low Press., 20mm | 28, 69 | 3 |
| 18 | 47010522 | Crankcase | | 1 | 36 | 90506700 | Ring, Back-up | 6 | 3 | | | | | |

REPAIR KITS

| KIT NO. | 1 | 2 | 3 | 4 | 5 | 6 | 7 | 10 | 28 | 69 | 71 |
|--------------------------------------|--------------------|----|----|-------|-------|--------------------|----|--------|----------------------------|------------|--------|
| ITEM NO.s INCLUDED IN KIT | 4, 5, 6, 7, 8 (11) | 16 | 41 | 9, 10 | 9, 10 | 31, 34, 36, 37, 38 | 45 | 42, 43 | 42, 43, 44, 45, 46, 47, 56 | 44, 47, 56 | 46, 47 |
| NUMBER OF ASSEMBLIES IN KIT | 6 | 3 | 2 | 6 | 6 | 3 | 6 | 3 | 1 | 3 | 3 |
| NUMBER OF CYLINDERS KIT WILL SERVICE | 3 | 3 | - | 3 | 3 | 3 | 3 | 3 | 1 | 3 | 3 |

TORQUE SPECS*

| Position | Ft.-lbs. |
|----------|----------|
| 2 | 22.1 |
| 10 | 73.7 |
| 12 | 14.7 |
| 27 | 7.3 |
| 29 | 13.2 |
| 30 | 14.7 |
| 32 | 14.7 |
| 38 | 14.7 |
| 49 | 29.4 |
| 51 | 29.4 |
| 53 | 29.4 |

*Decrease torque by 20% if threads are lubricated.

Water Cannon, Inc. 4044 West Lake Mary Blvd • Lake Mary, FL 32746

1-800-454-9274 www.watercannon.com - www.gxparts.com - www.hydromidwest.com - www.hot-superskid.com

