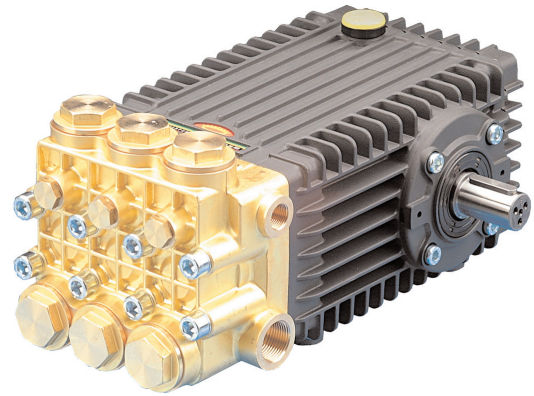


### FEATURES

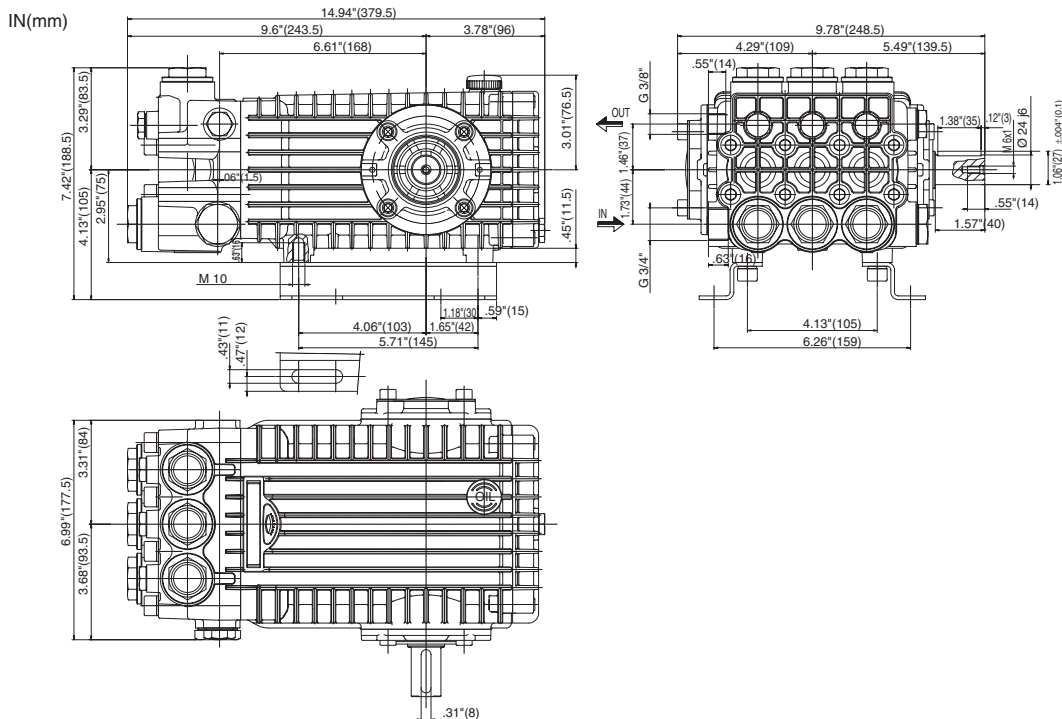
- Oversized roller bearings
- Fully anodized crankcase
- Innovative new seal design extends seal life
- New plunger design improves “thermal shock” resistance
- New valve cap design improves hydrostatic performance



### SPECIFICATIONS

| Pump Model              | TSF2019                  | TSF2019<br>Alternate Spec | TSF2021          | TSF2021<br>Alternate Spec | TSF2219          | TSF2219<br>Alternate Spec | TSF2221          | TSF2221<br>Alternate Spec |
|-------------------------|--------------------------|---------------------------|------------------|---------------------------|------------------|---------------------------|------------------|---------------------------|
| Maximum Volume          | 7.6 GPM                  | 6.3 GPM                   | 8.5 GPM          | 7 GPM                     | 9.3 GPM          | 7.7 GPM                   | 10.2 GPM         | 8.5 GPM                   |
| Max. Discharge Pressure | 3600 PSI                 |                           |                  |                           | 3000 PSI         |                           |                  |                           |
| Horsepower              | 18.7 BHP                 | 15.5 BHP                  | 21 BHP           | 17.3 BHP                  | 19.1 BHP         | 15.8 BHP                  | 21 BHP           | 17.5 BHP                  |
| Maximum Pump Speed      | 1750 RPM                 | 1450 RPM                  | 1750 RPM         | 1450 RPM                  | 1750 RPM         | 1450 RPM                  | 1750 RPM         | 1450 RPM                  |
| Maximum Inlet Pressure  | 125 PSI                  |                           |                  |                           |                  |                           |                  |                           |
| Maximum Inlet Vacuum    | 9 ft. water / 7.9 in. Hg |                           |                  |                           |                  |                           |                  |                           |
| Bore                    | .787 in. / 20 mm         |                           |                  |                           | .866 in. / 22 mm |                           |                  |                           |
| Stroke                  | .748 in. / 19 mm         |                           | .826 in. / 21 mm |                           | .472 in. / 19 mm |                           | .826 in. / 21 mm |                           |
| Crankcase Oil Capacity  | 31.0 oz.                 |                           |                  |                           |                  |                           |                  |                           |
| Max. Fluid Temperature  | 165°F                    |                           |                  |                           |                  |                           |                  |                           |
| Inlet Port Thread       | 3/4"-14 BSP-F            |                           |                  |                           |                  |                           |                  |                           |
| Discharge Port Thread   | 3/8"-19 BSP-F            |                           |                  |                           |                  |                           |                  |                           |
| Shaft Diameter.         | .945 in. / 24 mm         |                           |                  |                           |                  |                           |                  |                           |
| Weight                  | 40.7 lbs. / 18.5 kg      |                           |                  |                           |                  |                           |                  |                           |
| Dimensions              | 13.27 x 9.6 x 6.23 in.   |                           |                  |                           |                  |                           |                  |                           |

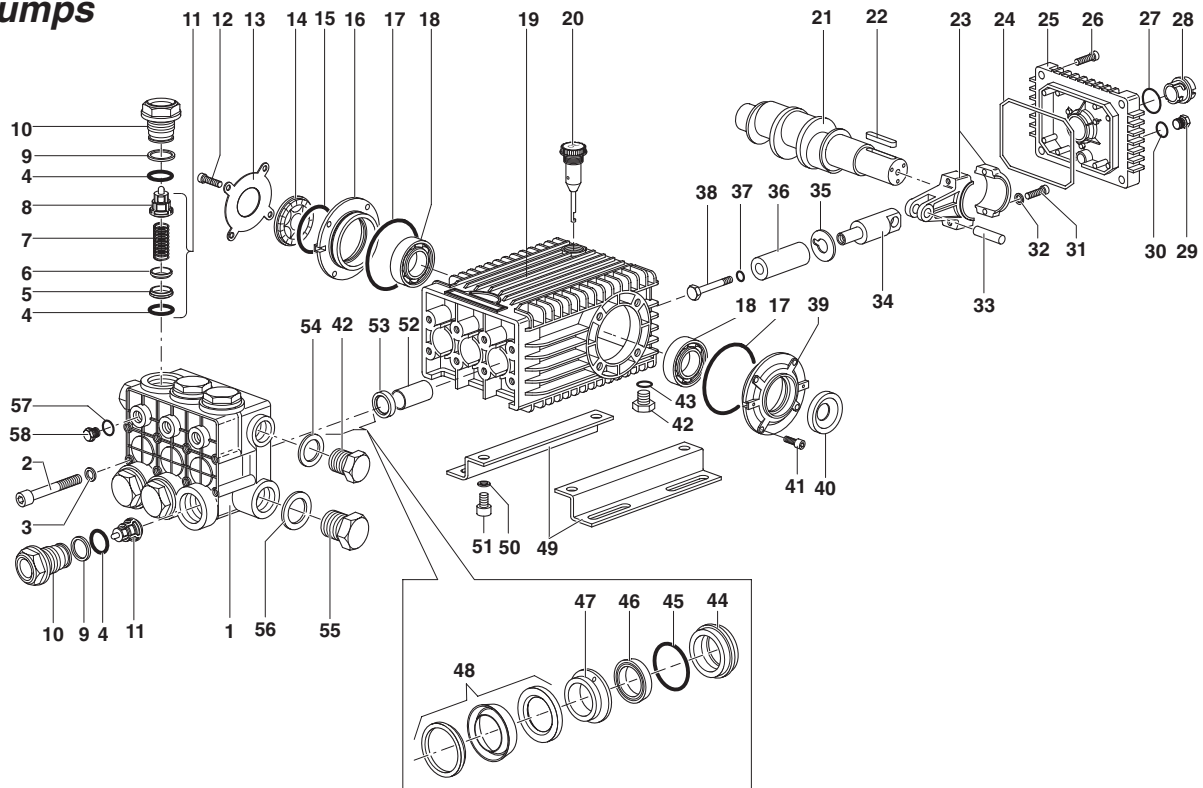
### DIMENSIONAL DRAWING



# 66 Series

## Triplex Pumps

**GENERAL PUMP** *A member of the Interpump Group*



### PARTS LIST

| ITEM | PART NO. | DESCRIPTION                | KIT  | QTY. | ITEM | PART NO. | DESCRIPTION               | KIT | QTY. | ITEM | PART NO. | DESCRIPTION            | KIT        | QTY. |
|------|----------|----------------------------|------|------|------|----------|---------------------------|-----|------|------|----------|------------------------|------------|------|
| 1.   | 66120041 | Manifold 20mm              |      | 1    | 22.  | 91489200 | Key                       |     | 1    | 44.  | 66080170 | Seal Retainer 22mm     | K173       | 3    |
|      | 66120141 | Manifold 22mm              |      | 1    | 23.  | 66030001 | Connecting Rod            |     | 3    |      | 66080070 | Seal Retainer 20mm     | K171       | 3    |
| 2.   | 99380100 | Headbolt M10 x 90          |      | 8    | 24.  | 90392200 | O-ring                    |     | 1    | 45.  | 90361600 | O-ring                 | K173, K171 | 3    |
| 3.   | 96710400 | Washer M10                 |      | 8    | 25.  | 66160000 | Cover, Crankcase          |     | 1    | 46.  | 90271500 | LP Seal 22mm           | K172, K173 | 3    |
| 4.   | 90385700 | O-ring                     | K169 | 12   | 26.  | 99188400 | Screw M6 x 20             |     | 4    |      | 90269000 | LP Seal 20mm           | K170, K171 | 3    |
| 5.   | 36203366 | Valve Seat                 | K169 | 6    | 27.  | 90405100 | O-ring                    |     | 1    | 47.  | 66216170 | Intermediate Ring 22mm | K173       | 3    |
| 6.   | 36203476 | Valve Poppet               | K169 | 6    | 28.  | 63210051 | Sightglass, Bayonet style |     | 1    |      | 66216070 | Intermediate Ring 20mm | K171       | 3    |
| 7.   | 94738800 | Valve Spring               | K169 | 6    | 29.  | 98204100 | Plug 1/4 x 9              |     | 1    | 48.  | 90271700 | HP Seal 22mm           | K172, K173 | 3    |
| 8.   | 36203551 | Valve Guide                | K169 | 6    | 30.  | 701013   | O-ring                    |     | 1    |      | 90269200 | HP Seal 20mm           | K170, K171 | 3    |
| 9.   | 90516500 | Anti-ext ring              |      | 6    | 31.  | 99309900 | Screw M8 x 35             |     | 6    | 49.  | 47200074 | Pump Rail              |            | 2    |
| 10.  | 66130041 | Valve Cap                  |      | 6    | 32.  | 96701400 | Locking Washer M8         |     | 6    | 50.  | 96710600 | Washer M10             |            | 4    |
| 11.  | 36712701 | Valve Assy., Complete      | K169 | 6    | 33.  | 97740500 | Wrist Pin                 |     | 3    | 51.  | 99364400 | Screw M10 x 18         |            | 4    |
| 12.  | 99306900 | Screw M8 x 25              |      | 4    | 34.  | 66050064 | Piston Guide              |     | 3    | 52.  | 90912600 | Guide Bushing          |            | 3    |
| 13.  | 66150274 | Cover                      |      | 1    | 35.  | 96710100 | Flinger Washer            |     | 3    | 53.  | 90162500 | Seal, Plunger Rod      | K02        | 3    |
| 14.  | 44211801 | Sightglass                 |      | 1    | 36.  | 66040109 | Plunger 22mm              |     | 3    | 54.  | 96738000 | Gasket, Aluminum 3/8"  |            | 1    |
| 15.  | 90409700 | O-ring                     |      | 1    |      | 66040009 | Plunger 20mm              |     | 3    | 55.  | 98226500 | Plug 3/4" x 16         |            | 1    |
| 16.  | 66150122 | Side Cover                 |      | 1    | 37.  | 90358400 | O-ring                    |     | 3    | 56.  | 96770000 | Gasket, Aluminum 3/4"  |            | 1    |
| 17.  | 701147   | O-ring                     |      | 2    | 38.  | 66219566 | Plunger Bolt              |     | 3    | 57.  | 701013   | O-ring                 |            | 3    |
| 18.  | 91838000 | Bearing                    |      | 2    | 39.  | 66150022 | Side Cover, PTO           |     | 1    | 58.  | 98204300 | Plug 1/4" x 13         |            | 3    |
| 19.  | 66010022 | Crankcase                  |      | 1    | 40.  | 90164800 | Seal, Shaft               | K03 | 1    |      |          |                        |            |      |
| 20.  | 98210600 | Dipstick, vented           |      | 1    | 41.  | 99303900 | Screw M8 x 16             |     | 4    |      |          |                        |            |      |
| 21.  | 66020435 | Crankshaft TSF2019 TSF2219 |      | 1    | 42.  | 98210000 | Plug 3/8 x 13             |     | 2    |      |          |                        |            |      |
|      | 66020035 | Crankshaft TSF2021 TSF2221 |      | 1    | 43.  | 90383300 | O-ring                    |     | 1    |      |          |                        |            |      |

### REPAIR KITS

| Kit                  | K02 | K03 | K169           | K170  | K171           | K172  | K173           |
|----------------------|-----|-----|----------------|-------|----------------|-------|----------------|
| <b>Model</b>         | All | All | All            | 20mm  |                | 22mm  |                |
| <b>Item included</b> | 53  | 40  | 4,5,6,7,8 (11) | 46,48 | 44,45,46,47,48 | 46,48 | 44,45,46,47,48 |
| <b>Qty req'd</b>     | 1   | 1   | 1              | 1     | 3              | 1     | 3              |

### TORQUE SPECS\*

| Pos. | N-M | Ft.-lbs. |
|------|-----|----------|
| 2    | 45  | 33.2     |
| 10   | 130 | 95.9     |
| 12   | 20  | 14.8     |
| 26   | 10  | 7.4      |
| 29   | 20  | 14.8     |
| 31   | 20  | 14.8     |
| 38** | 20  | 14.8     |
| 41   | 20  | 14.8     |
| 42   | 40  | 29.5     |
| 51   | 40  | 29.5     |
| 55   | 70  | 51.6     |
| 58   | 40  | 29.5     |

\*Decrease torque by 20% if threads are lubricated.  
\*\*Use Loctite 542

