

# 66 Series, TSP

High Pressure Triplex Plunger Pump

## FEATURES

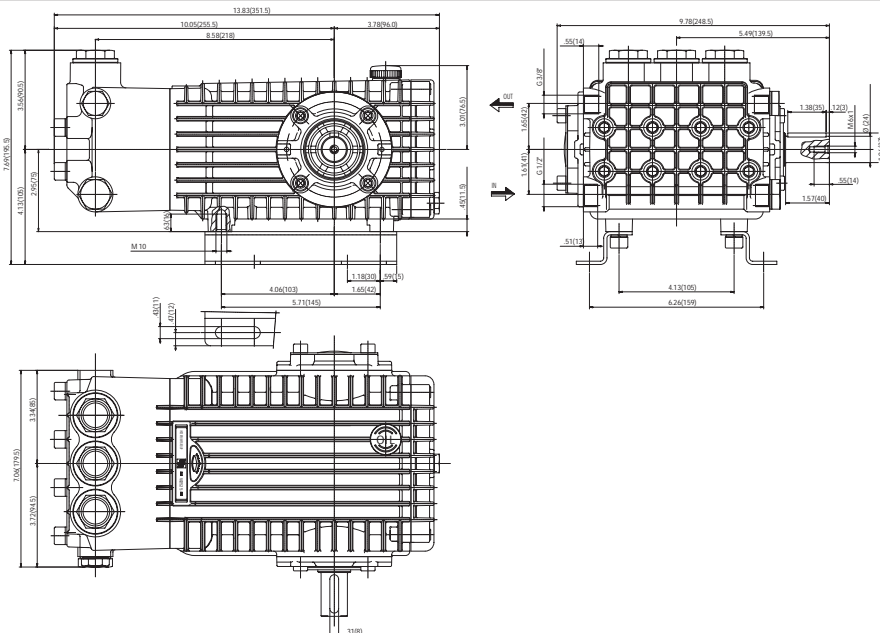
- Compact, High Pressure
- Oversized roller bearings
- Fully anodized crankcase
- Innovative new seal design extends seal life
- New plunger design improves “thermal shock” resistance
- New valve cap design improves hydrostatic performance
- Also available in “L” left-handed versions



## SPECIFICATIONS

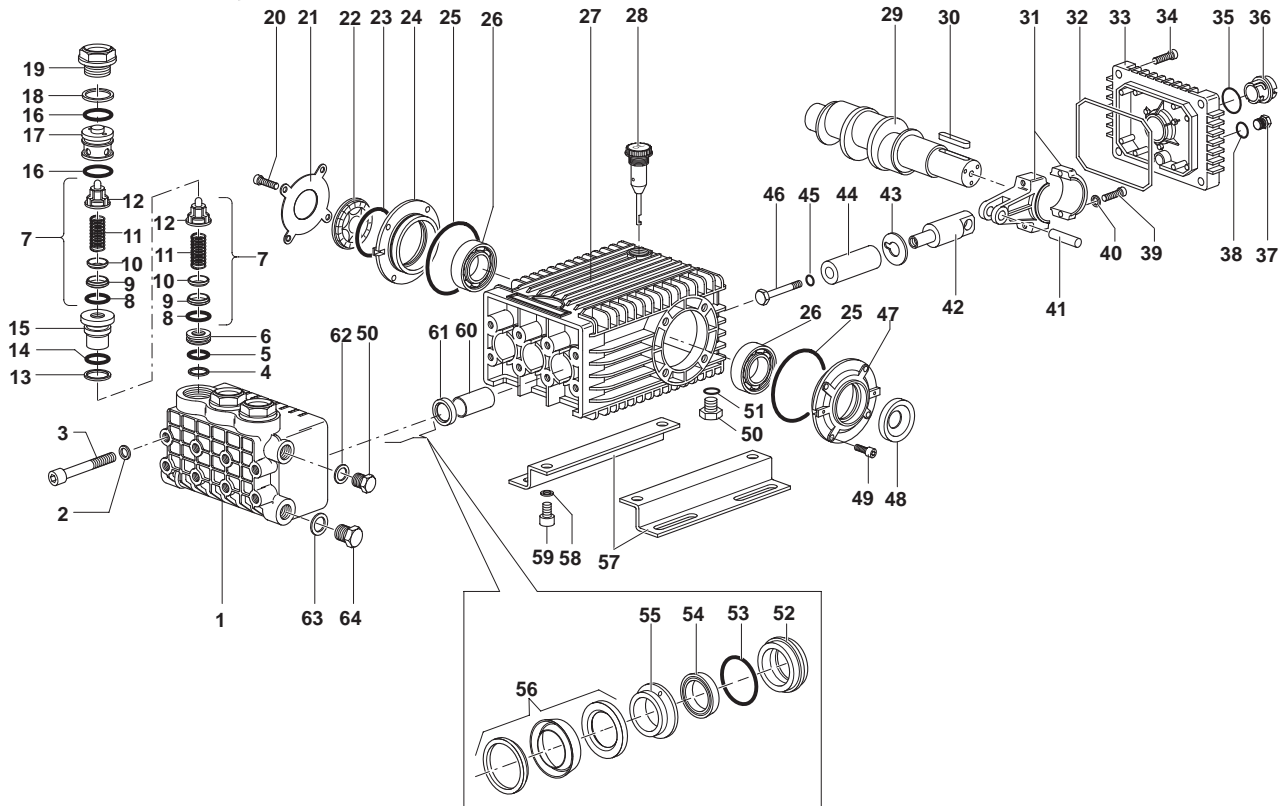
| Pump Model                  | TSP1621             | TSP1819   | TSP1821   |
|-----------------------------|---------------------|-----------|-----------|
| Maximum GPM                 | 4.3                 | 5.0       | 5.5       |
| Maximum PSI                 | 5800                | 5000      |           |
| Horsepower                  | 17.1 BHP            | 17.1 BHP  | 19.0 BHP  |
| Maximum RPM                 | 1450                |           |           |
| Inlet PSI Maximum (Minimum) | 125 PSI (2.6 in Hg) |           |           |
| Plunger Bore (mm)           | .629 (16)           | .708 (18) | .708 (18) |
| Plunger Stroke (mm)         | .826 (21)           | .748 (19) | .826 (21) |
| Oil Capacity                | 31.0 oz             |           |           |
| Maximum Fluid Temperature   | 165°F               |           |           |
| Inlet Port Thread           | 1/2" BSP-F          |           |           |
| Discharge Port Thread       | 3/8" BSP-F          |           |           |
| Shaft Diameter (mm)         | .945 (24)           |           |           |
| Weight lb(kg)               | 40.7 (18.5)         |           |           |
| Dimensions                  | 13.8 x 9.8 x 7.7 in |           |           |

## DIMENSIONS



# 66 Series, TSP

**GENERAL PUMP** *A member of the Interpump Group*



## REPAIR KITS

| ITEM | PART NO. | DESCRIPTION           | QTY. | ITEM | PART NO. | DESCRIPTION               | QTY. | ITEM | PART NO. | DESCRIPTION                 | QTY. |
|------|----------|-----------------------|------|------|----------|---------------------------|------|------|----------|-----------------------------|------|
| 1.   | 66121041 | Manifold 16mm         | 1    | 24.  | 66150122 | Side Cover                | 2    | 46.  | 66219566 | Plunger Bolt                | 3    |
|      | 66121141 | Manifold 18mm         | 1    | 25.  | 701147   | O-ring 67.95 x 2.62       | 2    | 47.  | 66150022 | Side Cover, PTO             | 1    |
| 2.   | 96710400 | Washer M10            | 8    | 26.  | 91838000 | Bearing                   | 1    | 48.  | 90164800 | Seal, Shaft 30 x 55 x 7     | 1    |
| 3.   | 99382000 | Headbolt M10 x 120    | 8    | 27.  | 66010022 | Crankcase                 | 1    | 49.  | 99303900 | Screw M8 x 16               | 4    |
| 4.   | 90511800 | Anti-ext ring         | 3    | 28.  | 98210600 | Dipstick, vented          | 1    | 50.  | 98210000 | Plug 3/8 x 13               | 2    |
| 5.   | 90359600 | O-ring 18.77 x 1.78   | 3    | 29.  | 66020435 | Crankshaft TSP1621        | 1    | 51.  | 90383300 | O-ring 13.95 x 2.62         | 1    |
| 6.   | 66210270 | Spacer M12            | 3    |      | 66020035 | Crankshaft TSP1819        |      | 52.  | 66080270 | Seal Retainer 16mm          | 3    |
| 7.   | 36712101 | Valve Assy., Complete | 6    | 30.  | 91489200 | Key                       | 1    |      | 66090370 | Seal Retainer 18mm          |      |
| 8.   | 90384100 | O-ring 17.13 x 2.62   | 6    | 31.  | 66030001 | Connecting Rod            | 3    | 53.  | 90361600 | O-ring 34.65 x 1.78         | 3    |
| 9.   | 36200366 | Valve Seat            | 6    | 32.  | 90392200 | O-ring 133.02 x 2.62      | 1    | 54.  | 90263100 | LP Seal 16mm                | 3    |
| 10.  | 36203266 | Valve Poppet          | 6    | 33.  | 66160000 | Cover, Crankcase          | 1    |      | 90265200 | LP Seal 18mm                |      |
| 11.  | 94737600 | Valve Spring          | 6    | 34.  | 99188400 | Screw M6 x 20             | 4    | 55.  | 66216270 | Intermediate Ring 16mm      | 3    |
| 12.  | 36202551 | Valve Guide           | 6    | 35.  | 90405100 | O-ring 26.58 x 3.53       | 1    |      | 99216370 | Intermediate Ring 18mm      |      |
| 13.  | 90511500 | Anti-ext ring         | 3    | 36.  | 63210051 | Sightglass, Bayonet style | 1    | 56.  | 90263400 | HP Seal 16mm                | 3    |
| 14.  | 90384300 | O-ring 17.86 x 2.62   | 3    | 37.  | 98204100 | Plug, G1/4" x 9           | 1    |      | 90265500 | HP Seal 18mm                |      |
| 15.  | 66210166 | Bushing               | 3    | 38.  | 90358500 | O-ring 10.82 x 1.78       | 1    | 57.  | 47200074 | Pump Rail                   | 2    |
| 16.  | 90385700 | O-ring 23.81 x 2.62   | 6    | 39.  | 99309900 | Screw M8 x 35             | 6    | 58.  | 96710600 | Washer M10                  | 4    |
| 17.  | 66210070 | Plug 19mm             | 3    | 40.  | 96701400 | Locking Washer M8         | 6    | 59.  | 99364400 | Screw M10 x 18              | 4    |
| 18.  | 90516500 | Anti-ext ring         | 3    | 41.  | 97740500 | Wrist Pin                 | 3    | 60.  | 90912600 | Guide Bushing               | 3    |
| 19.  | 66130141 | Valve Cap             | 3    | 42.  | 66050064 | Piston Guide              | 3    | 61.  | 90162500 | Seal, Pl. Rod 22 x 32 x 5.5 | 3    |
| 20.  | 99306900 | Screw M8 x 25         | 4    | 43.  | 96710100 | Flinger Washer            | 3    | 62.  | 96738000 | Gasket, Aluminum 3/8"       | 1    |
| 21.  | 66150274 | Cover                 | 1    | 44.  | 66040209 | Plunger 16 x 54           | 3    | 63.  | 96751400 | Gasket, Aluminum 1/2"       | 1    |
| 22.  | 44211801 | Spacer, Sightglass    | 1    |      | 66040309 | Plunger 18 x 54           |      | 64.  | 98217600 | Plug, G1/2" x 10            | 1    |
| 23.  | 90409700 | O-ring 55.56 x 3.53   | 1    | 45.  | 701013   | O-ring 10.82 x 1.78       | 3    |      |          |                             |      |

## REPAIR KITS

| Kit   | K02 | K03 | K150             | K174  | K175           | K180  | K176           |
|-------|-----|-----|------------------|-------|----------------|-------|----------------|
| Bore  | All | All | All              | 16mm  |                | 18mm  |                |
| Items | 61  | 48  | 8,9,10,11,12 (7) | 54,56 | 52,53,54,55,56 | 54,56 | 52,53,54,55,56 |
| Qty   | 1   | 1   | 1                | 1     | 3              | 1     | 3              |

## TORQUE SPECS\*

| Item | N-M | Ft-lbs |
|------|-----|--------|
| 3    | 45  | 33.2   |
| 19   | 130 | 95.9   |
| 20   | 20  | 14.8   |
| 34   | 10  | 7.4    |
| 37   | 20  | 14.8   |
| 39   | 20  | 14.8   |
| 46** | 20  | 14.8   |
| 49   | 20  | 14.8   |
| 50   | 40  | 29.5   |
| 59   | 40  | 29.5   |

\*Decrease torque by 20% if threads are lubricated.

\*\* Use Loc-tite 542

**Water Cannon, Inc.** 4044 West Lake Mary Blvd • Lake Mary, FL 32746

1-800-454-9274 www.watercannon.com - www.gxparts.com - www.hydromidwest.com - www.hot-superskid.com

