

# T Series 76

## 30 mm bore – Triplex Plunger Pump

### FEATURES

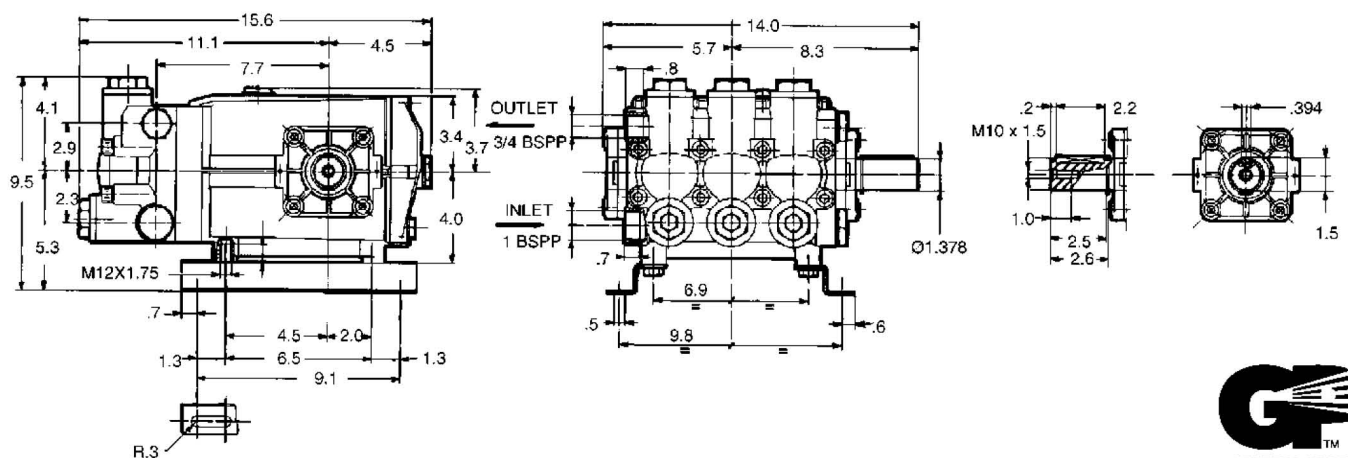
- The industry's choice for high-flow applications
- Forged brass manifold with an exclusive lifetime warranty
- Large-capacity, die-cast, anodized aluminum oil-bath crankcase
- Over-sized connecting rods for maximum life
- Heavy-duty tapered roller bearing.
- Solid ceramic plungers with continuously lubricated packings
- Unitized stainless steel inlet and discharge valves

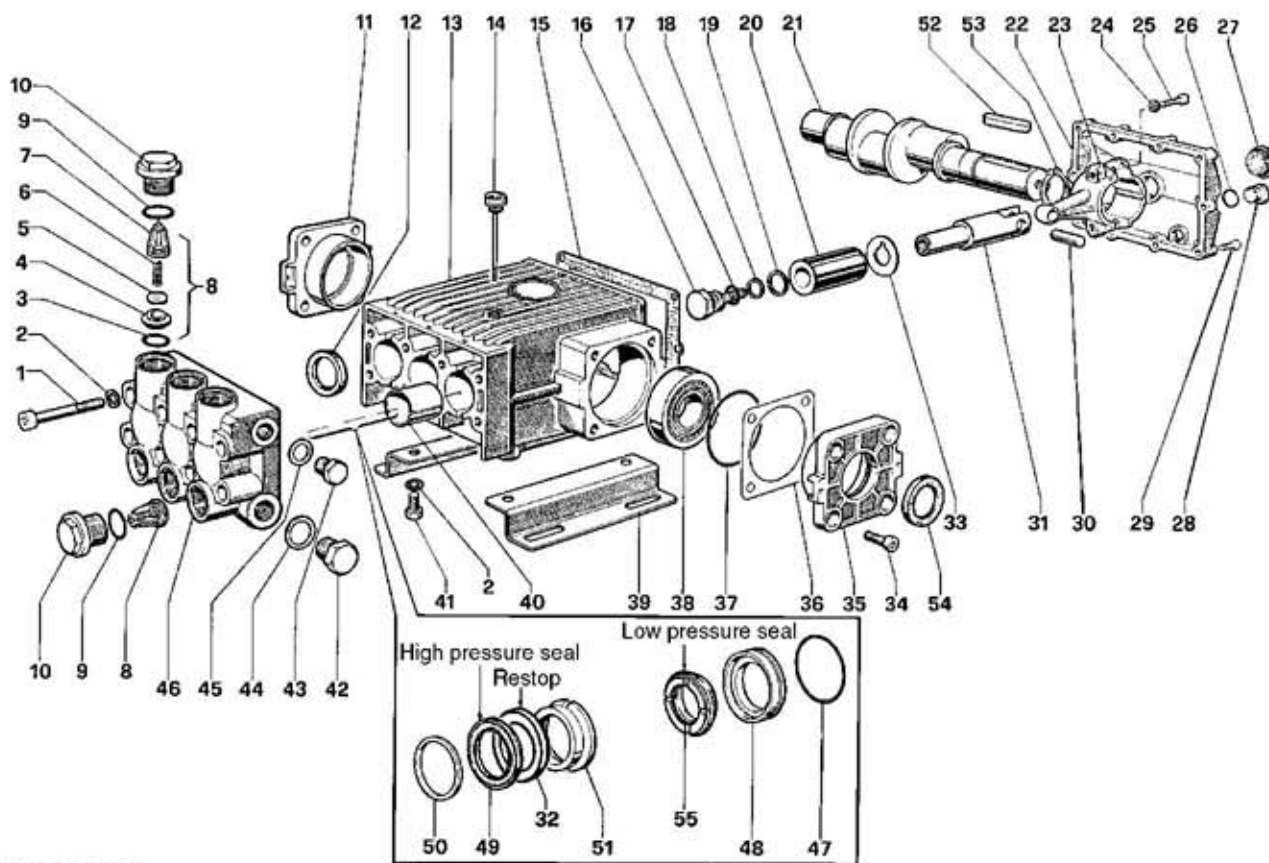


### SPECIFICATIONS

Pump Model	T1551
Maximum Volume	14.0 GPM
Maximum Discharge Pressure	2175 PSI
Maximum Pump Speed	1000 RPM
Maximum Inlet Pressure	125 PSI
Maximum Inlet Vacuum	9 ft. water (7.9 in. Hg)
Bore	1.181 in. / 30 mm
Stroke	1.102 in. / 28 mm
Crankcase Oil Capacity	91 oz.
Maximum Fluid Temperature	165°F
Inlet Port Thread	1-11 BSPP-F
Discharge Port Thread	3/4-14 BSPP-F
Shaft Diameter.	1.378 in. / 35 mm
Weight	93 lbs.
Dimensions	15.6 x 14.0 x 9.5 in.

### DIMENSIONAL DRAWING





### PARTS LIST

ITEM	PART NO.	DESCRIPTION	KIT NO.	QTY.	ITEM	PART NO.	DESCRIPTION	KIT NO.	QTY.
1	99.4418.00	Screw	8		19	96.7555.00	Washer	74	3
2	96.7195.00	Washer	12		20	76.0400.56	Plunger (30 mm)		3
3	90.4059.00	O-Ring	43	6	21	76.0210.35	Crankshaft		1
4	36.2011.66	Valve Seat	43	6	22	76.1630.22	Cover		1
5	36.2010.76	Valve	43	6	23	76.0303.01	Connecting Rod		3
6	94.7450.00	Spring	43	6	24	96.7104.00	Washer		6
7	36.2009.51	Valve Guide	43	6	25	99.3720.00	Screw		6
8	36.7065.01	Valve Unit	43	6	26	90.3833.00	O-Ring		2
9	90.4065.00	O-Ring		6	27	97.5968.00	Oil Indicator		1
10	98.2420.00	Cap		6	28	98.2100.00	Cap		2
11	76.1501.22	Cover		1	29	99.1897.00	Screw		10
12	90.1670.00	Ring	44	3	30	97.7400.00	Plunger Pin		3
13	76.0102.01	Crankcase		1	31	77.0500.54	Plunger Guide		3
14	98.2270.00	Oil Dip Stick		1	32	90.2774.00	Ring	113, 115	3
15	76.2119.84	Gasket		1	33	96.7568.00	Washer		3
16	69.2195.66	Plunger Screw	74	3	34	99.3652.00	Screw		8
17	90.3841.00	O-Ring	74	3	35	76.1500.22	Cover		1
18	90.5107.00	Anti-Ext. Ring	74	3	36	76.2200.78	Shim		2
					37	90.4141.00	O-Ring		2
					38	91.8474.00	Bearing		2
					39	76.2000.74	Bar		2
					40	90.9172.00	Bushing		6
					41	99.4266.00	Screw		4
					42	98.2325.00	Cap		1
					43	98.2265.00	Cap		1
					44	96.7870.00	Washer		1
					45	96.7700.00	Washer		1
					46	76.1210.41	Manifold		1
					47	90.3903.00	O-Ring	114, 115	3
					48	76.0800.70	Packing Retainer	114, 115	3
					49	90.2770.00	Packing	113, 115	3
					50	69.1000.51	Head Ring	65, 115	3
					51	69.2167.70	Intermed. Ring	66, 115	3
					52	91.4978.00	Key		1
					53	90.0695.00	Clip		1
					54	90.1672.00	Seal	32	1
					55	90.2776.00	Seal, Low Press., 30mm	113, 115	3

### REPAIR KITS

KIT NO.	32	43	44	65	66	74	113	114	115
ITEM NO.s INCLUDED IN KIT	54	3, 4, 5, 6, 7 (8)	12	50	51	16, 17, 18, 19	32, 49, 55	47, 48	32, 47, 48, 49, 50, 51, 55
NUMBER OF ASSEMBLIES IN KIT	2	6	3	6	3	3	3	3	1
NUMBER OF CYLINDERS KIT WILL SERVICE	-	6	3	3	3	3	3	3	1

### TORQUE SPECS\*

Position	Ft.-lbs.
1	51.5
10	95.8
16	29.4
25	29.4
27	13.2
28	29.4
29	7.3
34	29.4
41	51.5
42	73.7
43	51.5

\*Decrease torque by 20% if threads are lubricated.